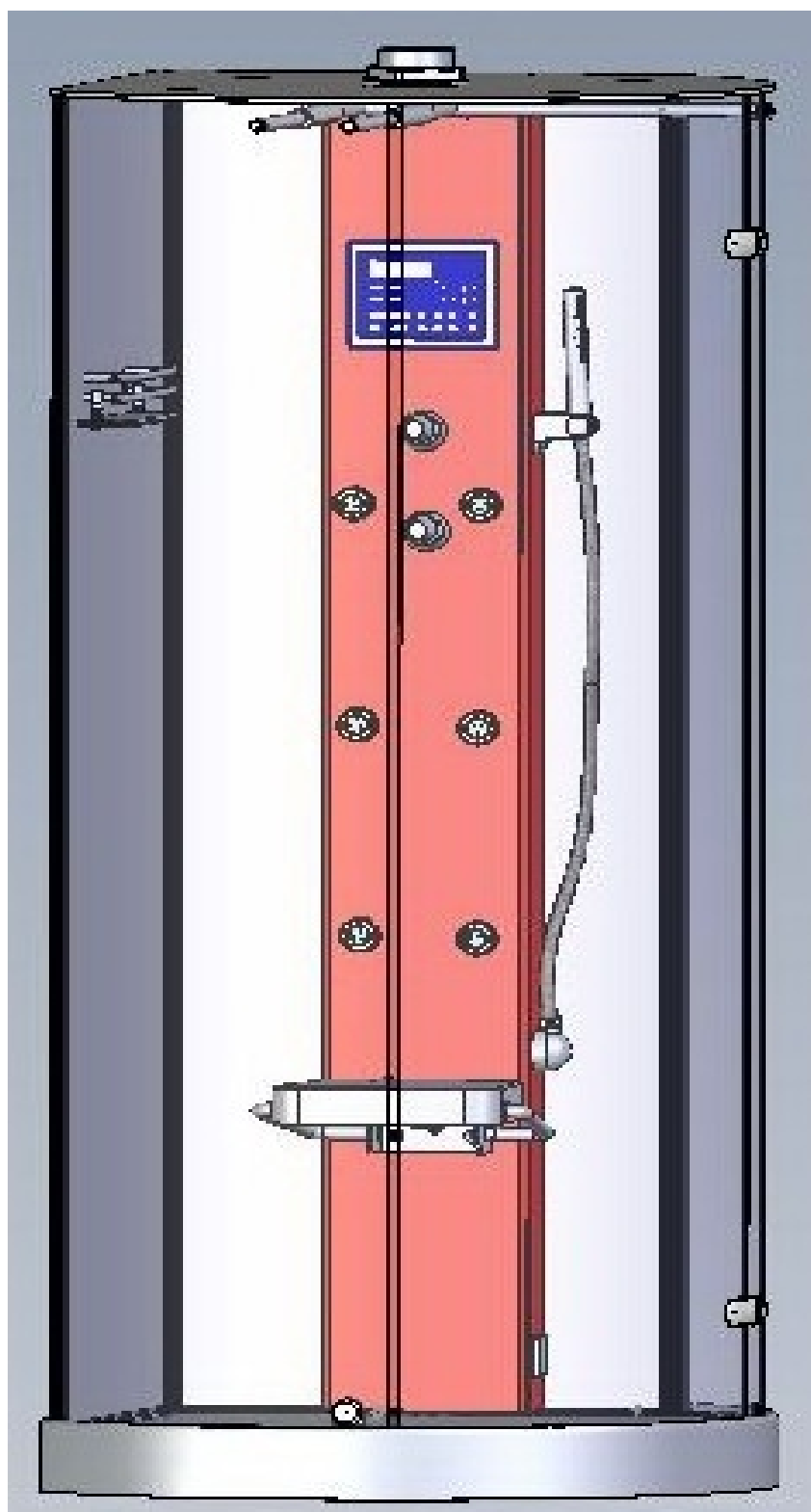


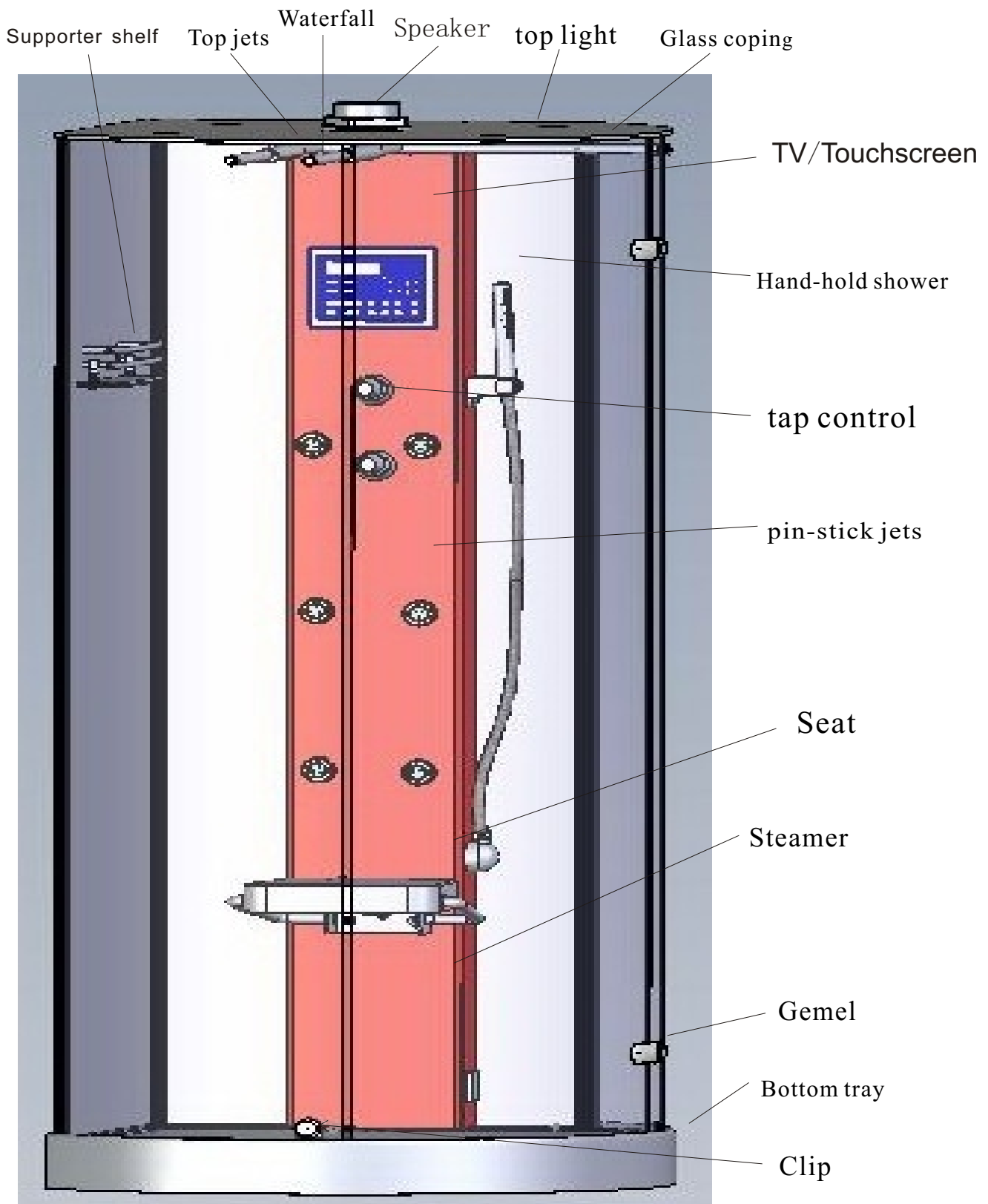
Installation Instruction of Computerized Steam Room

(M-8280)



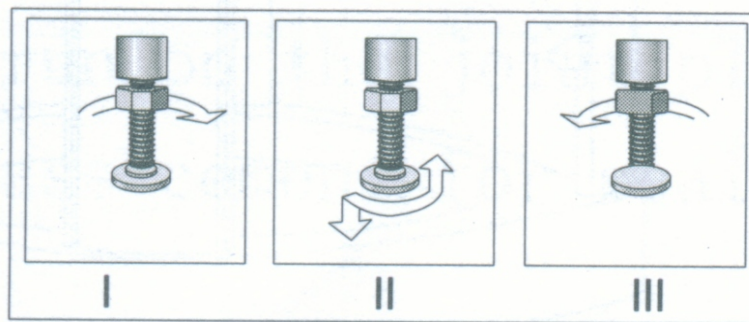
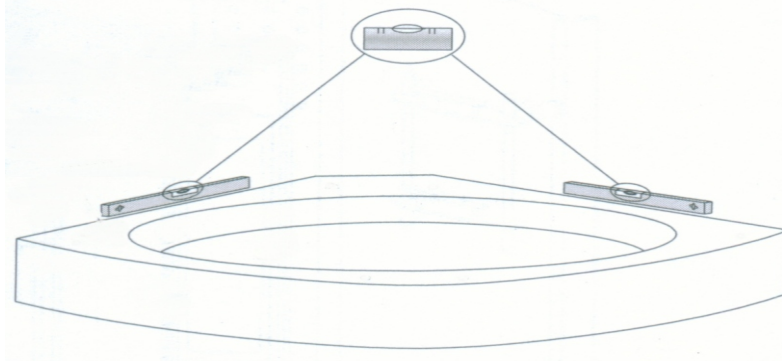
# Spare parts

top jets	1PC	Hand-hold shower	1Set
Waterfall	1PC	tap control	1Set
Speaker	1Set	Pin-stick jets	6PC
top light	3PC	Seat	1PC
Glass coping	1Pcs	Steamer	1Set
Bottom tray	1PC	Clip	2PC
Backboard glass	3Pcs (printing white oil glass)	curved glass	3Pcs

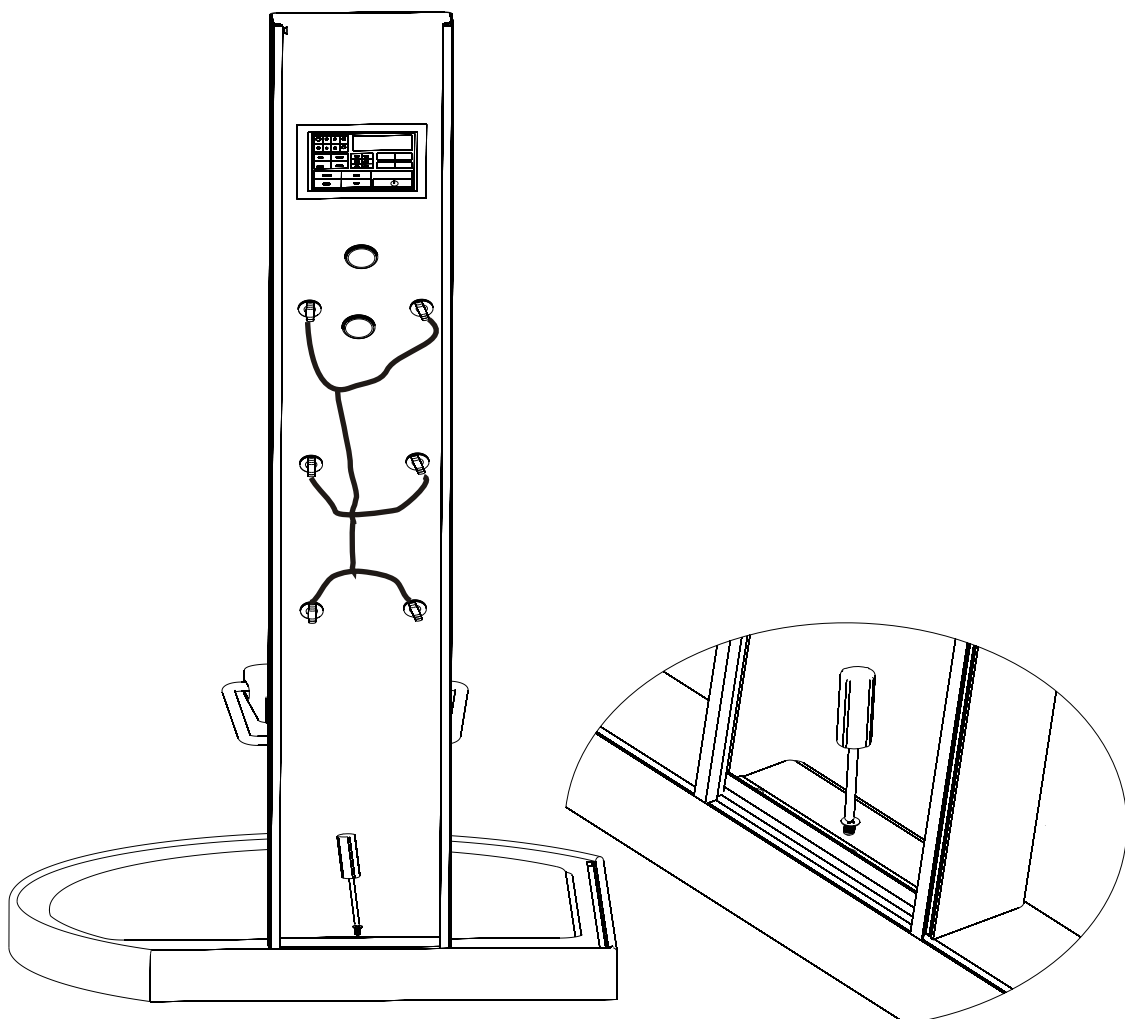


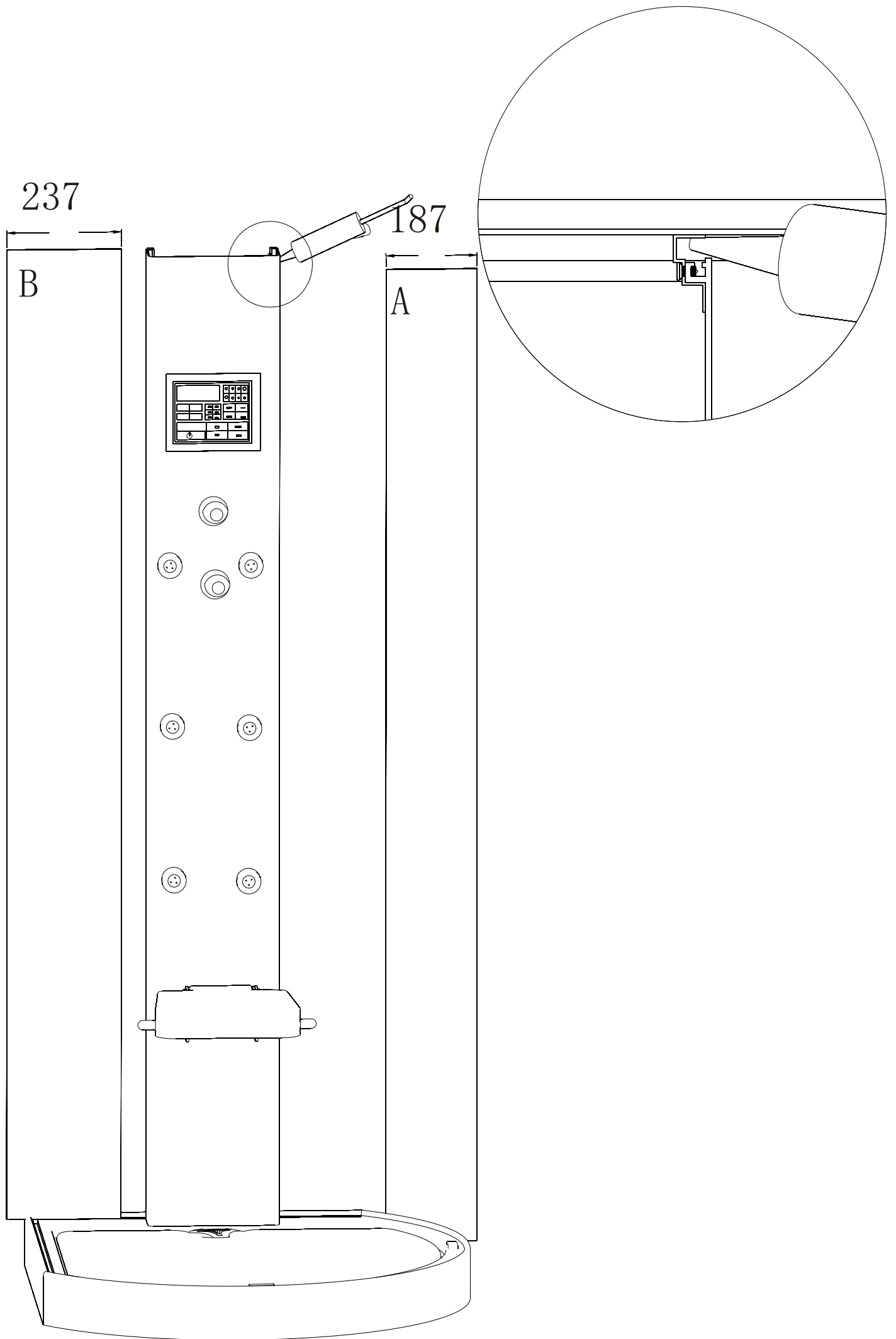
## Installation steps:

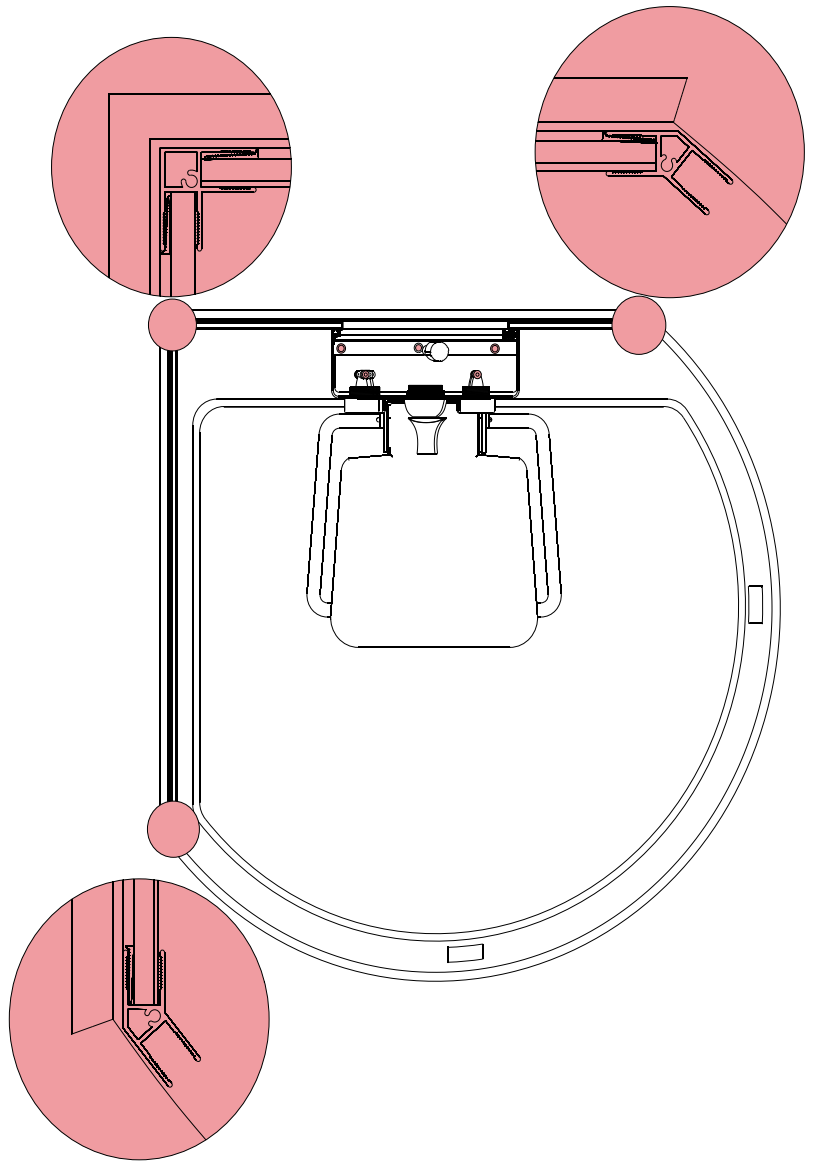
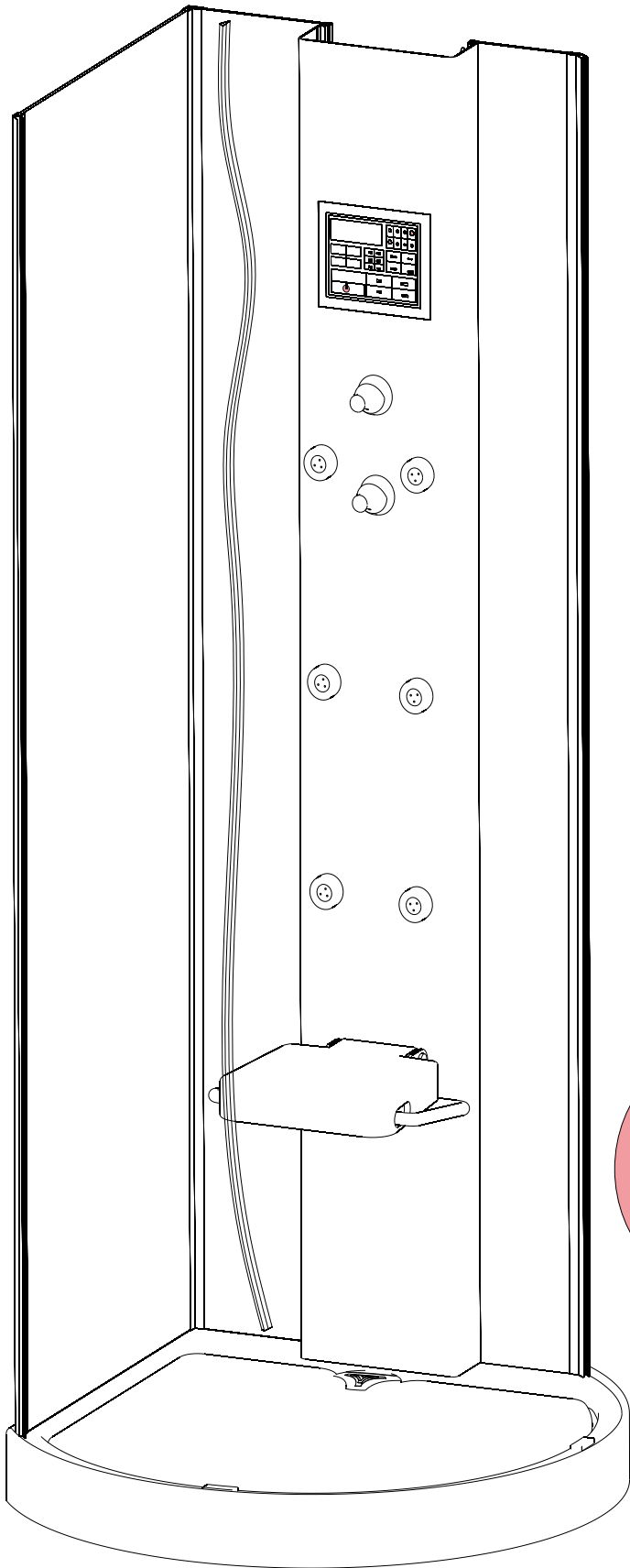
Loose adjustable screws (I) in the bottom of bottom tub, adjust screw (II) to make drainage part lower than outboard of bottom tub to ensure smooth flow of water. Then fasten nut (III). All adjustable feet should land on floor

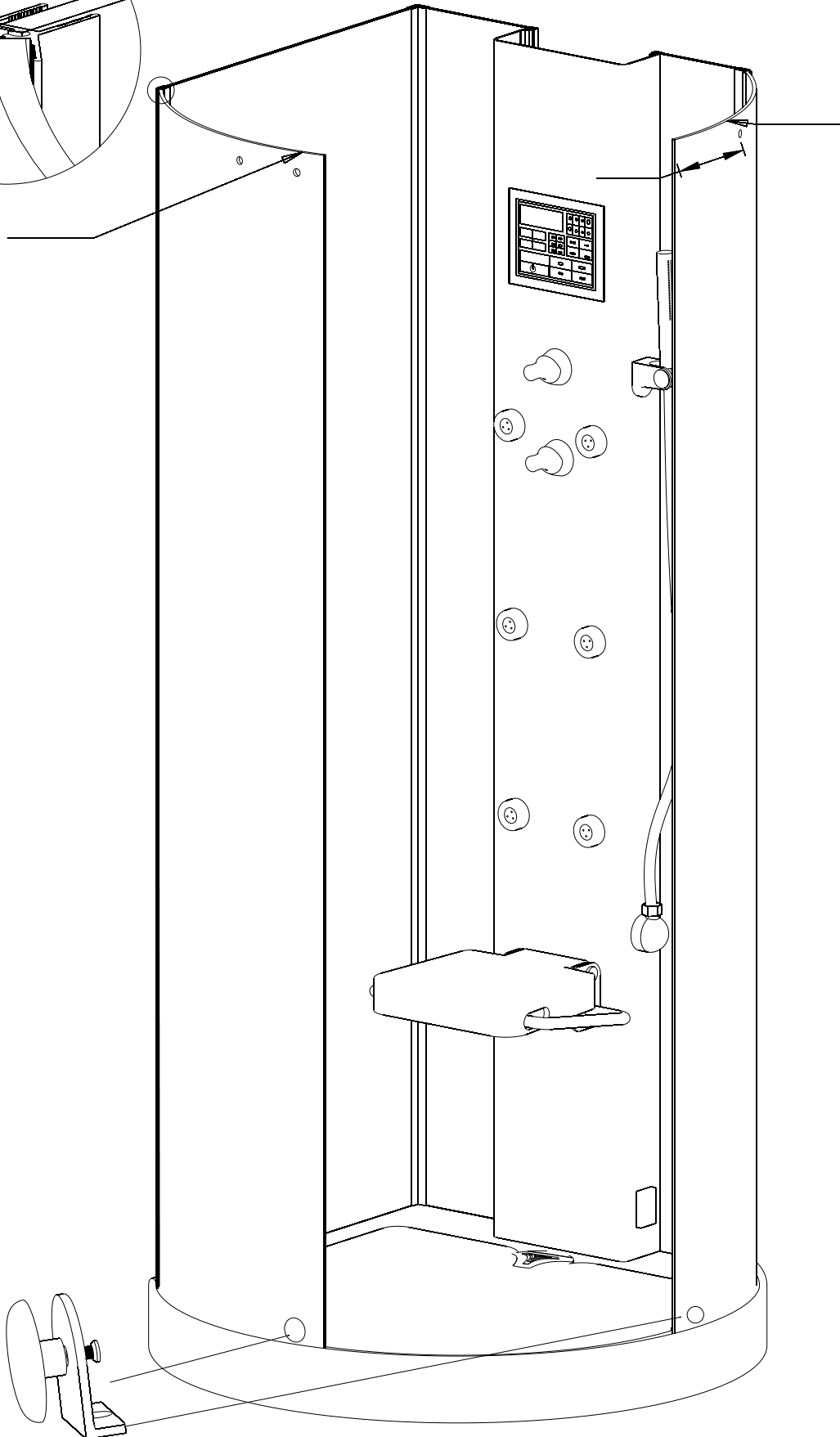
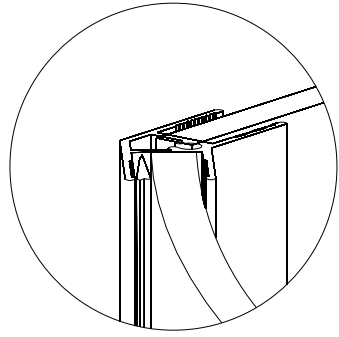


Use 4\*30 screws to fix the big aluminum board to the corresponding place of bottom tub. (See diagram below)









Per diagram III, install the top shower, but do not fasten the nuts of screws tightly now. Install the gemels to the fixed glass on the right, then install the movable glass to make the top edge of movable glass levelled with two fixed glass. Insert waterproof plastic adhesive tape to the side edges of movable glass. Keep a 5mm distance gap between movable glass and fixed glass (see diagram IV). Adjust the top shower and the thress pieces of glass to make magnetic stripes tight. Push decoration head D to the back board aluminum (diagram I) and use hexagon spanner to fasten tacking (diagram III) then finally use adjustabel spanner to fasten nut E.

